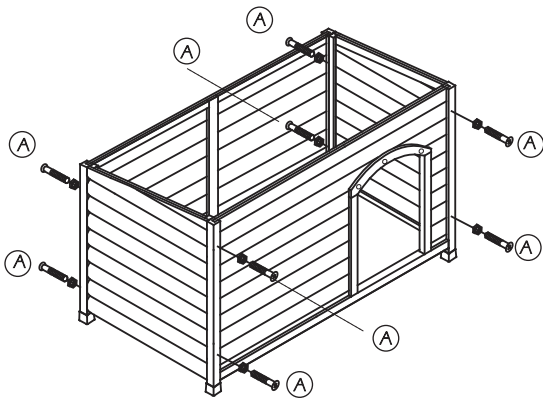
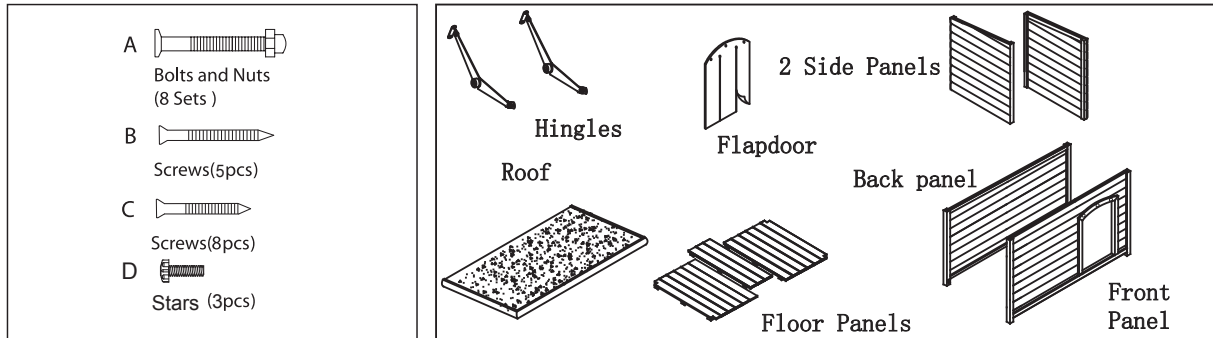
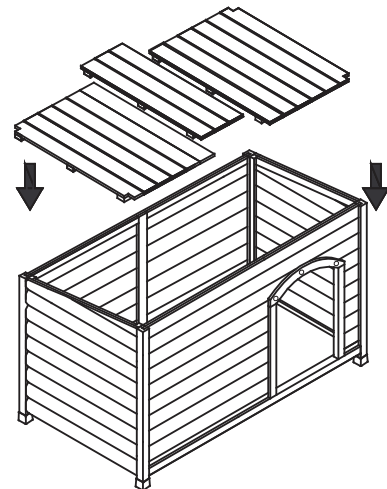


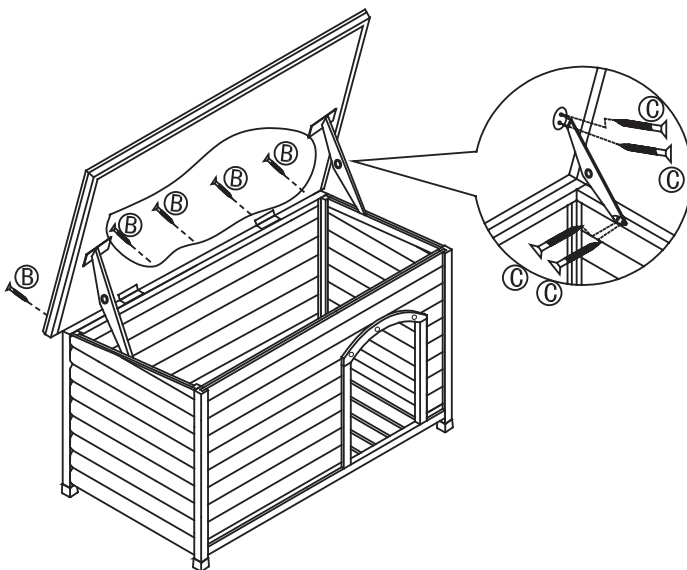
DOG HOUSE ASSEMBLY INSTRUCTION



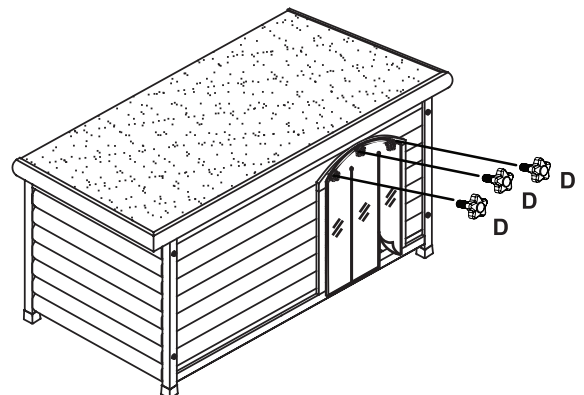
Step 1:
Secure Side Panels with bolts and nuts.



Step 2:
Drop in floors



Step 3:
Secure Roof onto the body



Step 4: Attach flap door on the door. (Finish)